

Industry Leading Business Solutions



See You Tomorrow.

HS-275 2D

PROFESSIONAL WIRED
BARCODE SCANNER

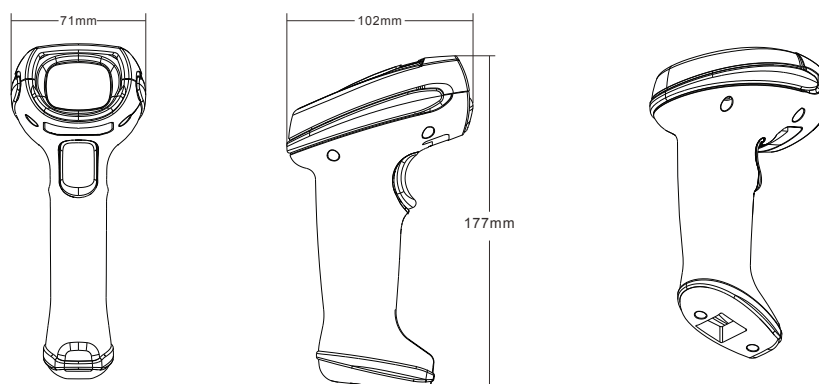


HS-275

2D WIRED BARCODE SCANNER



Product Size



SPECIFICATIONS

Performance Parameters

Light Sources:	617nm LED Aimer, White LED
Supported:	1D: Codabar, Code 39, Code 32, Interleaved 2 of 5, NEC 2 of 5, Code 93, Straight 2 of 5, Industrial, Straight 2 of 5 IATA, Matrix 2 of 5, Code 11, Code 128, GS1-128, UPC-A, UPC-E0, UPC-E1, EAN/JAN-8, EAN/JAN-13, MSI, GS1 DataBar-Omnidirectional, GS1 DataBar Limited, GS1 DataBar Expanded, China Post, HongKong 2of 5, Krea Post. 2D: PDF417, QR Code, DataMatrix, Aztec Code, HanXin Code, Maxi Code, Micro PDF417, GS1 Composite Coders, Codablock A, Codablock F, OCR A, OCR B.
Scan Type:	1024*1280 CMOS
Resolution:	≥5mil
Motion Tolerance:	4meter/second
Scan Angle:	Yaw ±65°, Rotation 360°, Pitch ±65°
Depth of scan field:	EAN13 40mm-430mm (EAN13 13mil 90%PCS)
Error Rate:	Less than 1/5million
Contrast:	≥20%
Field of view:	Horizontal 39°, vertical 28°
Interface:	USB-HID, USB-COM, RS232

Physical Parameters

Dimensions:	102mm*71mm*177mm
Weight:	169.2g
Material:	ABS+PC
Cable Length:	2M

Environmental Parameters

Operating Temperature:	-20°C~50°C
Storage Temperature:	-40°C~70°C
Relative Humidity:	5% ~95% RH(Non-condensing)
Ambient Lighting:	0~100000LUX

Electronic Parameters

Working Voltage:	DC5V±5%
Operating Current:	260mA

PRODUCT FEATURES

- New decoding chip, interpretation of a variety of 1D & 2D barcode
- Professional technology, can scan WeChat/alipay bar code
- Higher decoding accuracy
- Plug and play, easy to set up and quickly matchLonger
- Wire life more durable

