

Industry Leading Business Solutions



HS-250 2D WL

PROFESSIONAL WIRELESS
BARCODE SCANNER

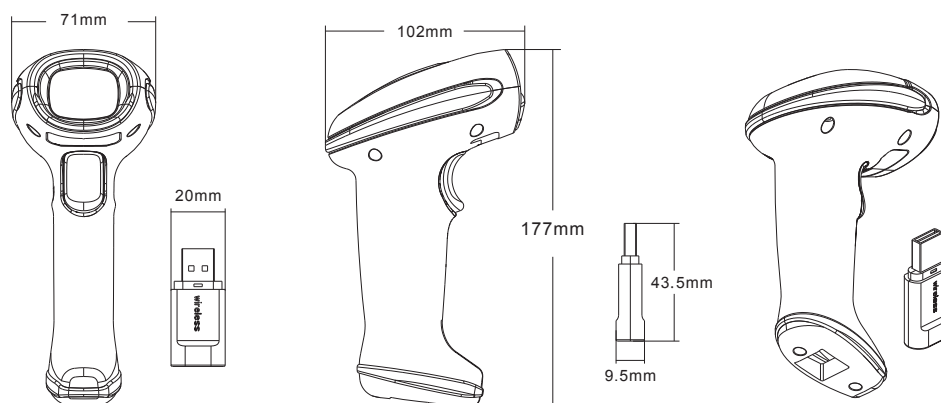


HS-250

2D WIRELESS BARCODE SCANNER



Product Size



SPECIFICATIONS

Performance Parameters

Light Sources:	617nm LED Aimer, White LED
Supported:	1D: EAN, UPC, Code 39, Code 93, Code 128, UCC/EAN 128, Codabar, Interleave 2 of 5, ITF-6, ITF-4, ISBN, ISSN, MSI-Plessey, GS1 Databar, GS1 Composite Code, Code 11, Industrial 25, Standard 25, Matrix 2 of 5. 2D: QR Code, Data Matrix, PDF417, Aztec, Maxicode, Micro QR, Micro PDF417, Hanxin Code.
Scan Type:	CCD Image Sensor
Resolution:	640*480
Scan Mode:	Manual/Continuous/Automatic Induction
Precision:	≥4mil (1mil)
Scan Speed:	≥200 times/s
Contrast:	≥20%
Depth of scan field:	EAN13 20-280mm (0.33mm)
Error Rate:	1/5million
Interface:	USB-HID
Wireless communication mode:	Paired special receiver: 2.4G communication;
Pairing with mobile Bluetooth devices:	Bluetooth BLE4.0
Wireless transmission distance:	Open space: 30-50 meters or so
Storage Mode:	Offline Storage Mode: When the scanner exits the connection range, the data is automatically stored. Storage capacity is 512,000 characters.
Inventory Storage Mode:	Scanner can enter inventory mode, storage capacity is 512,000 characters.
Pairing Mode:	One to One: one scanning gun pairs one receiver, One scanner paired with a Bluetooth mobile device.

Physical Parameters

Dimensions:	102mm*71mm*177mm
Weight:	223.5g
Material:	ABS+PC
Cable Length:	1.2M
Drop/Shock Resistance:	Withstands multiple times 3 meter drops on concrete

Environmental Parameters

Operating Temperature:	-20°C~55°C
Storage Temperature:	-40°C~70°C
Relative Humidity:	5%~95% (Non-condensing)
Ambient lighting:	0~100000LUX

Electronic Parameters

Working Voltage:	DEV±5%	Charging Time:	5h
Lithium Battery:	2200mAh	Battery Working:	7h
Operating Current:	when not scanning code ≥26mA; when scanning code ≥280mA		
Standby Current:	0mA(Standby Is to cut Off battery power)		
Charging Model:	Square USB charging cable, plug straight charge		

PRODUCT FEATURES

- Can Interpret various 1D/2D codes.
- USB Bluetooth receiver supports plug and play, easy to set up and quickly match
- Wireless Bluetooth transmission distance: 30-50 meters (open area)
- 512,000 characters can be stored in offline/inventory storage mode
- Can be paired directly with Bluetooth-enabled mobile phones, tablets, and laptops

