

Industry Leading Business Solutions



HS-150 1D

PROFESSIONAL WIRELESS
BARCODE SCANNER

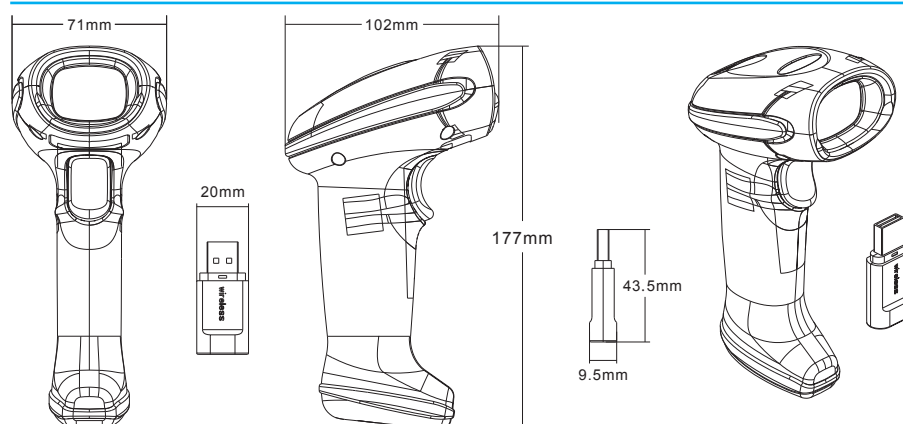


HS-150

1D WIRELESS BARCODE SCANNER



Product Size



SPECIFICATIONS

Performance Parameters

Light Sources:	617nm Red visible LED
Supported:	UPC- A, UPC-E, EAN-13, EAN-8, Codabar, Code 39, Code 39 Full ASCII, China Post, Plessey, MSI, Code 93, Code 128, Industrial 2 of 5, Interleave 2 of 5, Code 11, ISBN, SSN, Code 32 (Italian pharm code), Code 39 extended, GS1 – 128 and ITF-14, SISAS, GS1 Omnidirectional, GS1 Limited, Aviation25, RSS 14.
Scan Type:	CCD Image Sensor
Resolution Ratio:	1500
Scan Mode:	Manual/Continuous/Automatic Induction Scanning
Precision:	≥4mil (1mil)
Scan Speed:	≥200 times/s
Contrast:	≥20%
Depth of scan field:	EAN13 20-280mm (0.33mm)
Error Rate:	1/5million
Interface:	USB-HID
Wireless communication mode:	Paired special receiver: 2.4G communication;
Pairing with mobile Bluetooth devices:	Bluetooth BLE4.0
Wireless transmission distance:	Open space: 30-50 meters or so
Storage Mode:	Offline Storage Mode: When the scanner exits the connection range, the data is automatically stored. Storage capacity is 512,000 characters.
Inventory Storage Mode:	Scanner can enter inventory mode, storage capacity is 512,000 characters.
Pairing Mode:	One to One: One scanning gun pairs one receiver, One scanner paired with a Bluetooth mobile device.

Physical Parameters

Dimensions:	102mm*71mm*177mm
Weight:	225g
Material:	ABS+PC
Cable Length:	1.2M
Drop/Shock Resistance:	Withstands multiple times 3 meter drops on concrete

Environmental Parameters

Operating Temperature:	-20°C~55°C
Storage Temperature:	-40°C~70°C
Relative Humidity:	5%~95% (Non-condensing)
Ambient lighting:	0~100000LUX

Electronic Parameters

Working Voltage:	DC5V±1%
Charging Model:	Contact the charging
Standby Current:	0mA(Standby is to cut off battery power)
Operating Current:	When not scanning code ≥65mA; When scanning code ≥170mA
Battery Working Time:	12h
Lithium Battery:	2200mA

PRODUCT FEATURES

- New decoding chip for interpreting various 1D code
- Scan 1D wrinkle, scratch bar code
- Scan WeChat and Alipay 1D barcode
- Scan 1D wrinkle, scratch bar code
- Withstand multiple 3 meters drops to concrete
- Plug and play, easy to set up and quickly match

